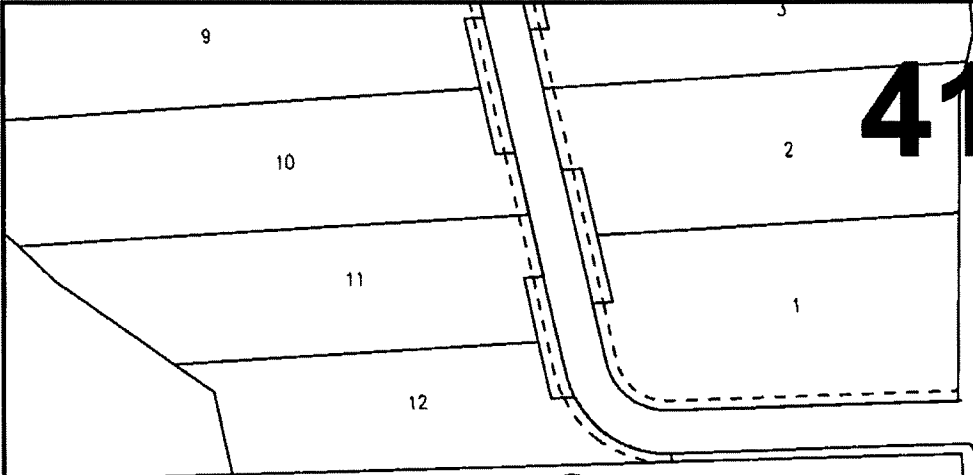
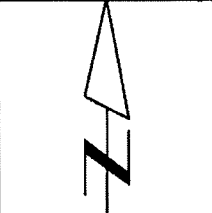
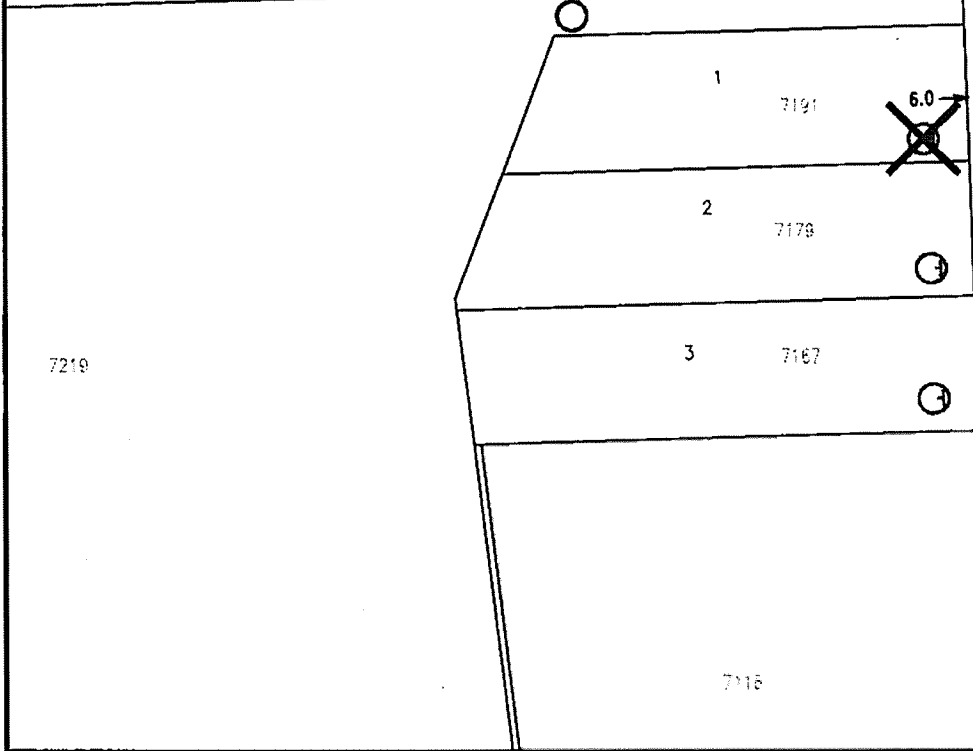


# 4110315611



2.6

RAMSAY PL



6.0

7191

7179

7167

7116

7219

114 DP/PE

**7191 Ramsay Pl, Chilliwack**

**Nearest Intersection: Kingston Dr and Ramsay Pl.  
Distance from lot to intersection is 94 meters (77 degrees North of East).  
View Scale: 1:1000**

Order #: 31036890 Prem #: 10093419 City Limits: Chilliwack

X: 1304459390.00 Y: 466310439.00

Select autotext type 2018/11/14